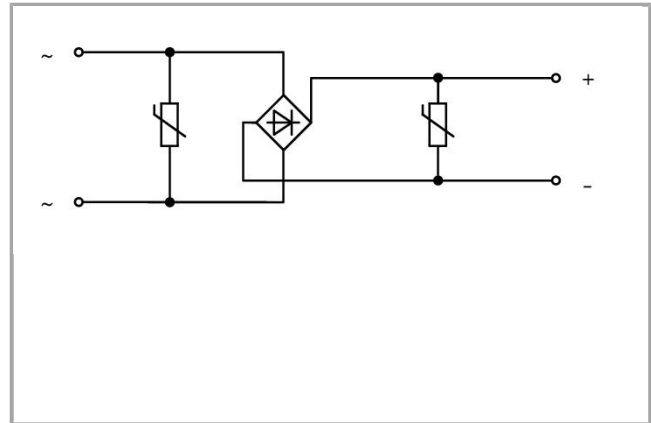
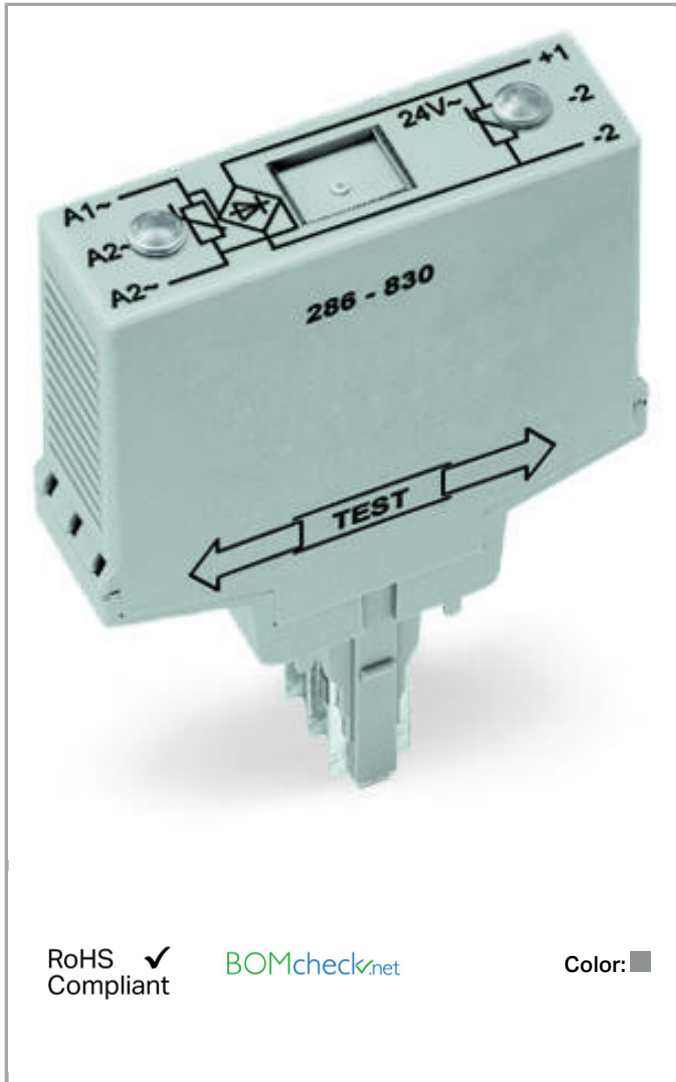


Data sheet | Item number: 286-840

Bridge rectifier module; Input voltage: 250 VAC; with varistor protective circuit



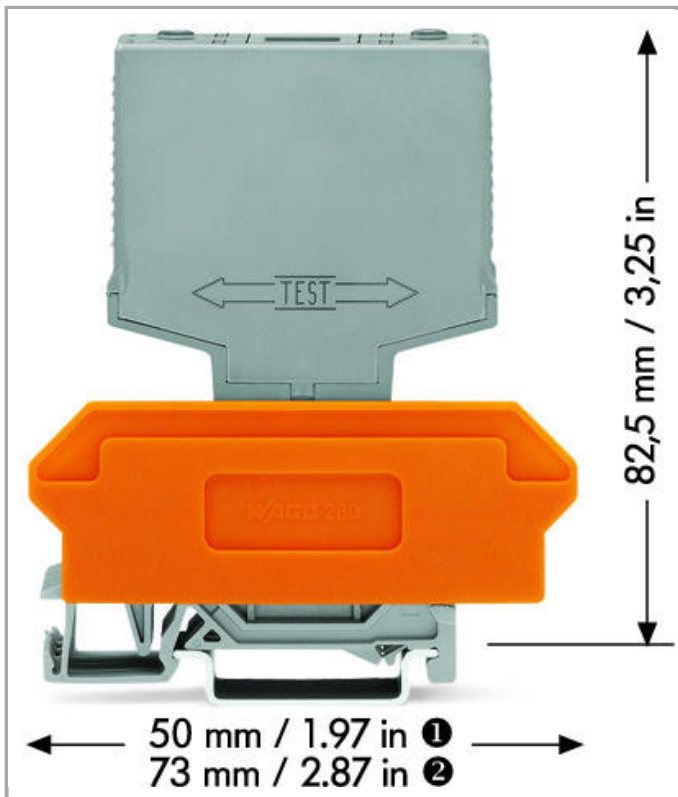
286-840



RoHS Compliant

[BOMcheck.net](https://www.bomcheck.net)

Color: ■



Data

Electrical data

Nominal operating voltage	AC 230 V
Operating voltage	≤ AC 250 V
Nominal current	1 A
Switch-on capacity	< 500 μF

Geometrical Data

Width	15 mm / 0.591 inch
-------	--------------------

Mechanical data

Type of mounting	Pluggable module for carrier terminal blocks
Housing design	Pluggable module for terminal blocks

Material Data

Color	gray
Fire load	0 MJ
Weight	22

Environmental Requirements










Surrounding air (operating) temperature -25 ... 40 °C

Commercial data

Product Group	6 (Interface Electronics)
Country of origin	DE
GTIN	4045454739676
Customs Tariff No.	85363010900

Compatible products

Marking accessories

	Item no.: 209-701 WSB marking card; as card; not stretchable; plain; snap-on type		209-701
	Item no.: 209-701/000-002 WSB marking card; as card; not stretchable; plain; snap-on type	/000-002	209-701
	Item no.: 209-701/000-005 WSB marking card; as card; not stretchable; plain; snap-on type	/000-005	209-701
	Item no.: 209-701/000-006 WSB marking card; as card; not stretchable; plain; snap-on type	/000-006	209-701
	Item no.: 209-701/000-007 WSB marking card; as card; not stretchable; plain; snap-on type	/000-007	209-701
	Item no.: 209-701/000-012 WSB marking card; as card; not stretchable; plain; snap-on type	/000-012	209-701
	Item no.: 209-701/000-017 WSB marking card; as card; not stretchable; plain; snap-on type	/000-017	209-701
	Item no.: 209-701/000-023 WSB marking card; as card; not stretchable; plain; snap-on type	/000-023	209-701
	Item no.: 209-701/000-024 WSB marking card; as card; not stretchable; plain; snap-on type	/000-024	209-701

Downloads

Documentation



Bid Text

286-840 Interface-Bausteine mit Sonderfunktionen	Jan 15, 2016	doc 24.6 kB	Download
---	--------------	----------------	----------

Additional Information

Disposal; Electrical and electronic equipment, Packaging	V 1.0.0	pdf 265.8 kB	Download
--	---------	-----------------	----------

Subject to changes.
